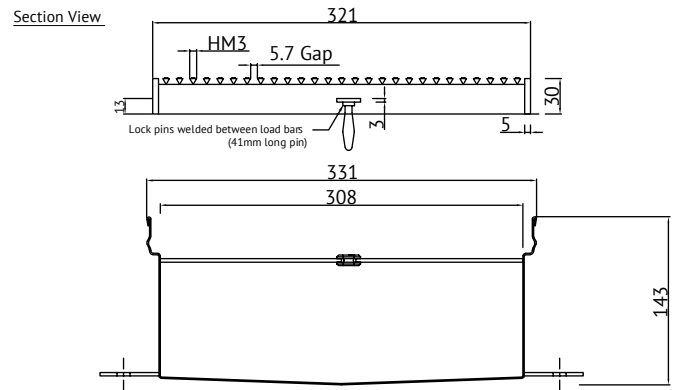
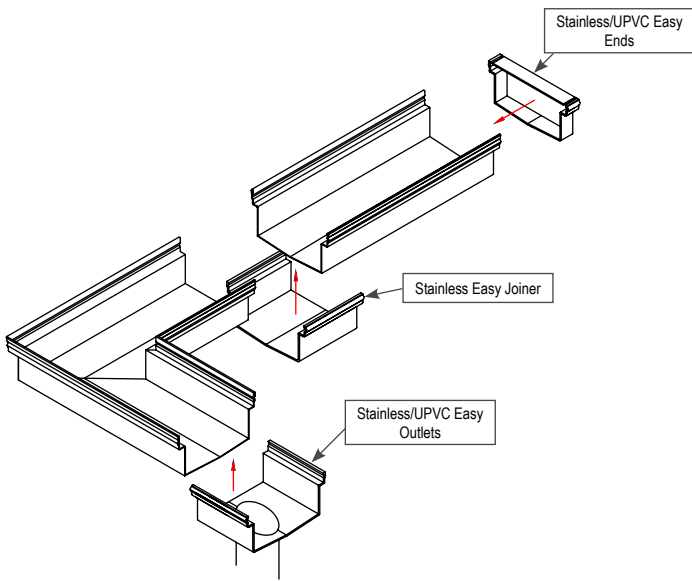


CLICK DRAIN 300 CHANNELS The Future of Plumbing!

- 1 & 2 metre channel lengths - For fast and more accurate install procedures.
- Lightweight compared to traditional polymer/concrete. Stainless steel channels will not crack or shatter.
- Revolutionary 'click' together channel lengths and components.
- 45 & 90 degree corners available.
- Full profile movable outlets give flexibility on site using conventional tools or hole saws (inox blade required).
- Multiple grate & insert options.
- Full profile joiner sections.
- Loose end caps allow for simple drain terminations.
- Grates up to load class D (AS3996) available.
- Revit files also available upon request.



CHANNELS

Part Number	Material	Length (mm)	Depth (mm)
CD3042A-300	304 SS	2000	143
CD3041A-300	304 SS	1000	143
CD3162A-300	316 SS	2000	143
CD3161A-300	316 SS	1000	143

GRATES

Part Number	Material	Part Number	Material
HG3045A-300	304 SS	HG3165A-300	316 SS
HG3045B-300	304 SS	HG3165B-300	316 SS
HG3045C-300	304 SS	HG3165C-300	316 SS
HG3045D-300	304 SS	HG3165D-300	316 SS

ACCESSORIES

Part Number	Description	Material
SSCAP-300	End Cap	316 SS
SS75SPIG-300	Outlet	316 SS
SS100SPIG-300	Outlet	316 SS
SS75SPIGRFS-300	O/L W/Fixed Strainer	316 SS
SS100SPIGRFS-300	O/L W/Fixed Strainer	316 SS
SSBSKT-300	Removable Strainer	316 SS
JOIN-300	Joiner	316 SS
90C-300	90 Degree Corner	316 SS
45C-300	45 Degree Corner	316 SS
CDSUPLEG-300	Channel Support	316 SS