

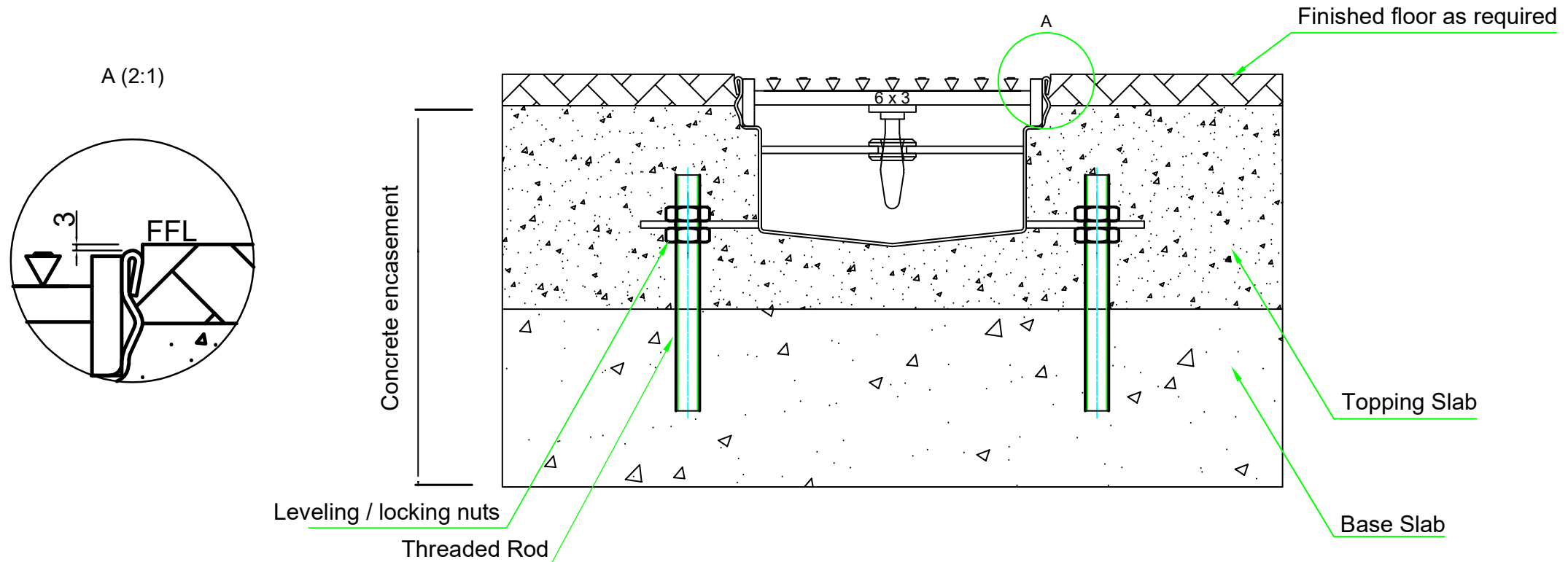
# TECHNICAL PRODUCT INFORMATION



# HEELGUARD™ GRATING

Proudly Australian Made, Owned and Operated

## CLICK DRAIN - TYPICAL PAVER INSTALLATION DETAIL



### INSTALLATION NOTES:

1. It is the responsibility of the customer to ensure the concrete encasement and reinforcement design suits specific site conditions. Recommended concrete strength is 25MPa. Vibration of concrete to remove air pockets is preferred, seek Engineering advice.
2. The finished paver level must be 3mm above the Click Drain channel edge.
3. Expansion joints are recommended and engineering advice may be required.
4. Pavers along channel edges are to be fully bonded to concrete.
5. Heelguard recommends channels to be braced with grating or substitute rigid material of same width and depth for installation.