

TECHNICAL PRODUCT INFORMATION



HEELGUARD GRATING™

Proudly Australian Made, Owned and Operated

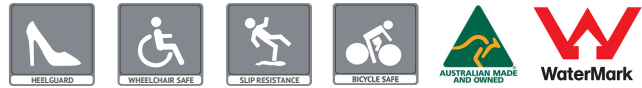
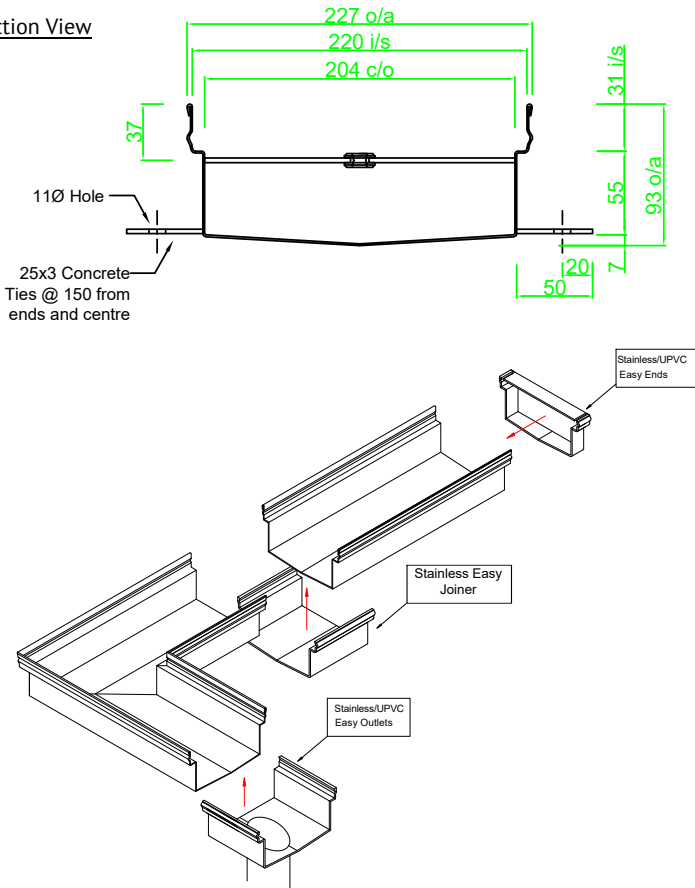
CLICK DRAIN 200 CHANNELS

The Future of Plumbing!

- 2 & 1 metre Channel Lengths - For faster and more accurate install procedures.
- Heelguard grate and slot drain options up to class D
- Light weight compared to traditional polymer/concrete. Stainless Steel channels will not crack or shatter.
- Revolutionary 'click' together channel lengths and components.
- 90 & 45 degree corners available
- Full profile movable outlets give flexibility on site using conventional tools or hole saws (inox blade required)
- Multiple grate & insert options.
- Full joiner sections.
- Loose end caps allow for simple drain terminations



Section View



CHANNELS

Part Number	Material	Length (mm)	Depth (mm)
CD200-2/93	304	2000	93
CD200-1/93	304	1000	93
CD200-2/93/316	316	2000	93
CD200-1/93/316	316	1000	93

ACCESSORIES

Part Number	Description	Material
SSCAP	Outlet	Grade 316 SS
SS75SPIG	Outlet 75mm	Grade 316 SS
SS100SPIG	Outlet 100mm	Grade 316 SS
SS75SPIGRGFS	Fixed Strainer 75	Grade 316 SS
SS100SPIGRGFS	Fixed Strainer 100	Grade 316 SS
SSBSKT	Removable Strainer	Grade 316 SS
JOIN	Joiner	Grade 316 SS
90C-200	90 Degree Corner	Grade 316 SS
45C-200	45 Degree Corner	Grade 316 SS
CDSUPLEG-200	Channel Support	Grade 316 SS

www.heelguard.com.au | sales@heelguard.com.au

Heelguard Grating Australia Pty Ltd | ABN 89 122 572 141

5/12, Clarke Street, Sunshine VIC 3020 | PO Box 234, Melton VIC 3337 PH: (03) 9116 4969 | (0415) 500 485