

TECHNICAL PRODUCT INFORMATION



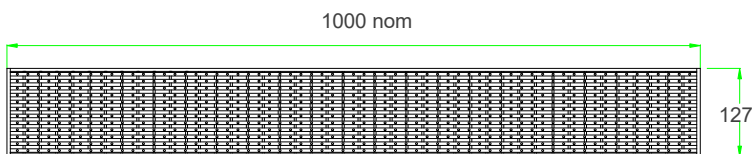
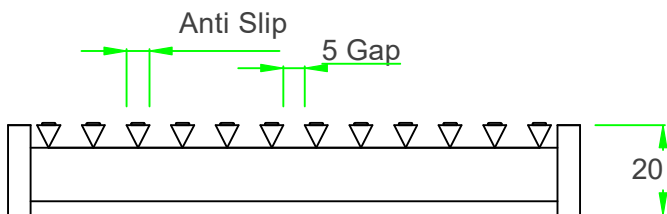
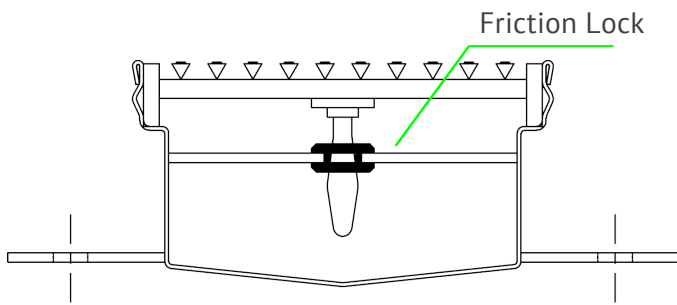
HEELGUARD™ GRATING

Proudly Australian Made, Owned and Operated

CLICK DRAIN 100 GRATE CLASS D - AS3996 - 210kN

The original architectural stainless steel Heelguard™ grating with the added piece of mind of industry leading slip resistance.

This innovative grating with a standard 5mm aperture also incorporates a fuss free boltless "Friction Lock" system to secure the grating into place while allowing easy removal when required.



SPECIFICATIONS

Load Class	Part Number	Material	Length (mm)
Class D - 210kN	HG3045D	304	1000
Class D - 210kN	HG3165D	316	1000

CERTIFICATIONS

All Grating & Inserts:

- Bicycle tyre penetration resistance (AS3996-Clause 3.3.6)
- Wheelchair and walking cane safety (AS1428.2- Clause 9)
- Surface openings in pedestrian areas (AS3996)

Anti Slip Grating:

- Wet Pendulum Test (AS4586:P5)
- Wet-Barefoot inclining platform test (AS4586:C)
- Oil-Wet inclining platform test (AS4586: R11-Parallel)
- Oil-Wet inclining platform test (AS4586: R12-Perpendicular)

www.heelguard.com.au | sales@heelguard.com.au

Heelguard Grating Australia Pty Ltd | ABN 89 122 572 141

5/12, Clarke Street, Sunshine VIC 3020 | PO Box 234, Melton VIC 3337 PH: (03) 9116 4969 | (0415) 500 485